

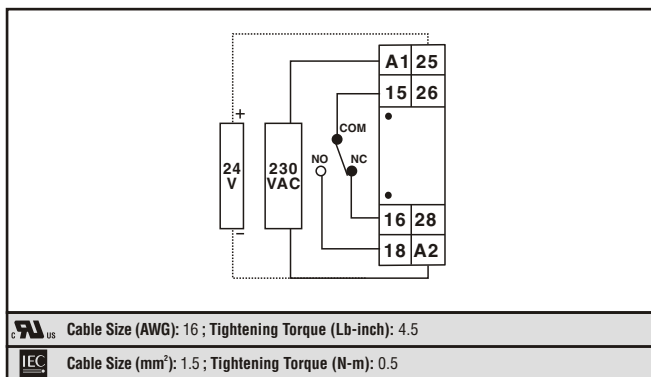


DIN 17.5mm

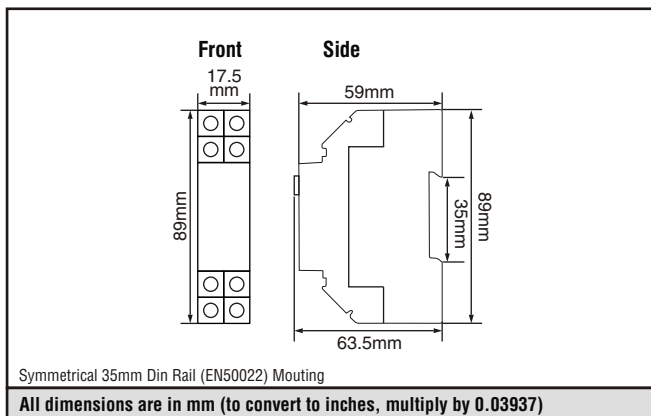
ORDERING INFORMATION

Part No.	Supply Voltage
642SQ-230	230V AC & 24V AC/DC
642SQ-110	110V AC & 24V AC/DC

TERMINAL CONNECTIONS



DIMENSIONS



FEATURES

- ON Delay / Interval
- 4 Time Ranges
- Dual Supply Voltage
- LED Status Indicator: Power ON, Relay ON
- DIN Rail / Back Panel Mount
- Slim, Space Saving Design
- Finger Safe Terminals

TECHNICAL SPECIFICATIONS

INPUT SPECIFICATIONS

Accuracy	Setting: ±5% of F.S. Repeat: ±0.5% or 50 msec (F.S. = Full Scale)
Reset	On interruption of power; Reset time < 100 msec

FUNCTIONAL SPECIFICATIONS

Modes	ON delay, Interval
Time Ranges	0 - 15 sec 0 - 60 sec 0 - 7.5 min 0 - 60 min

OUTPUT SPECIFICATIONS

Output Contact	SPDT (1 C/O)
Contact Rating	5A @ 230V AC / 24V DC, resistive

GENERAL SPECIFICATIONS

Supply Voltage	230 VAC & 24 VAC/DC (50 / 60Hz) 110 VAC & 24 VAC/DC (50 / 60Hz) -15% to 10% tolerance
Power Consumption	8VA max
Temperature	Operating: 0 to 50°C (32 to 122°F) Storage: -20 to 75°C (-4 to 167°F)
Humidity (non-condensing)	95% RH
Weight	50 g (0.110 lbs)
Protection Level	IP50 for faceplate IP40 for housing IP20 for terminals